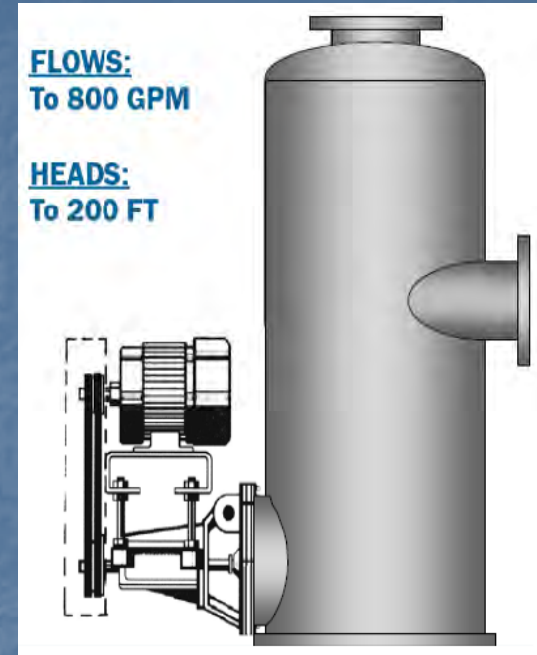


# VUP Unloader Pump – Receiver Mounted Filtrate Pump

Inlet Separators are recommended for separating process water from vacuum systems ahead of the vacuum pump. If you don't have enough elevation to remove water with a barometric dropleg you will need an unloader pump. Our VUP Unloader Pump is designed to operate at up to 26" Hg vacuum. No level controls are required to control receiver level.

We design and build for your operation with barometric dropleg water removal or side tank mounted removal pumps. We can adjust tank diameter and height within design parameters to fit your installation space.

CALL OR EMAIL FOR THE BROCHURE OR QUOTE



CONTACT: CVN VOONER  
1612 INDUSTRIAL ROAD  
GREENEVILLE, TN 37745  
PHONE: 423-638-2211  
EMAIL: [INFO@CVNVOONER.COM](mailto:INFO@CVNVOONER.COM)  
WEB: [WWW.CVNVOONER.COM](http://WWW.CVNVOONER.COM)